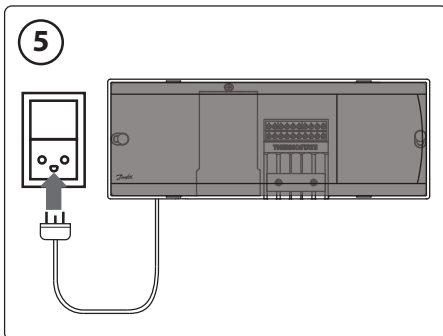
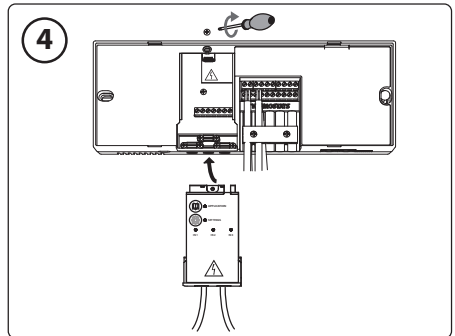
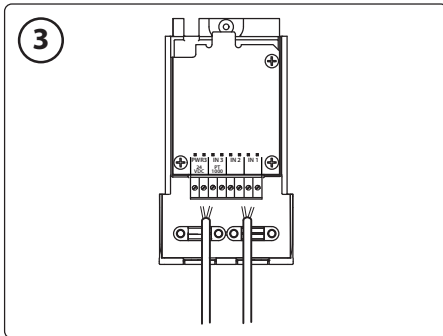
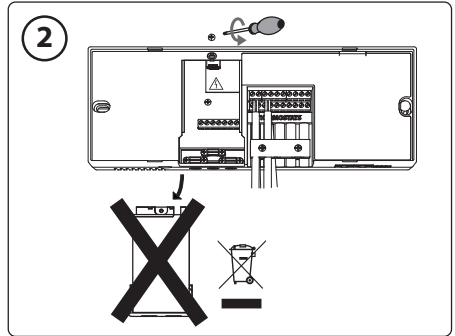
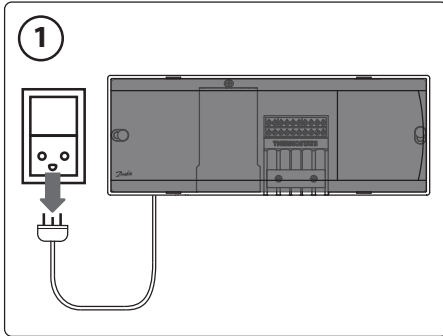
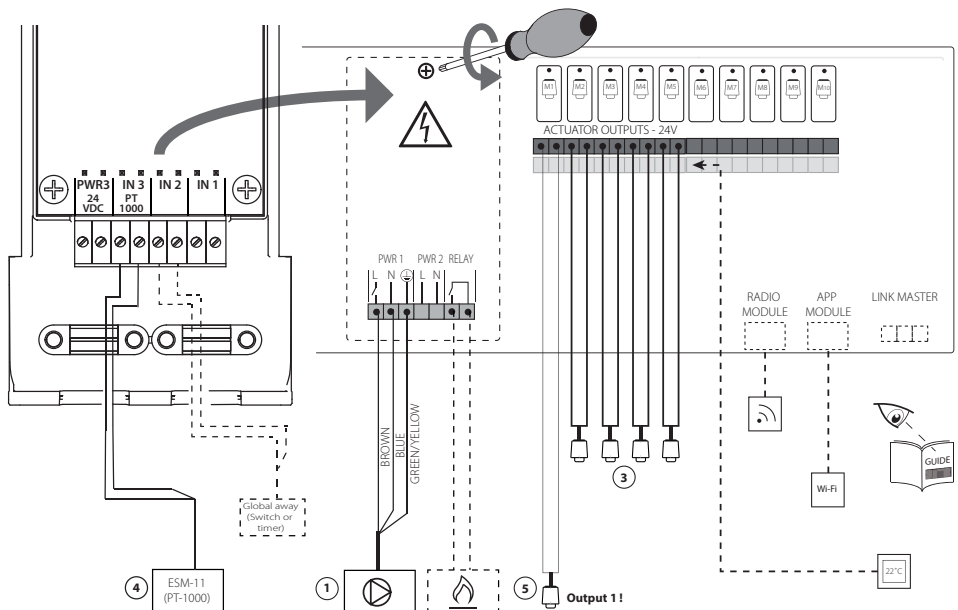
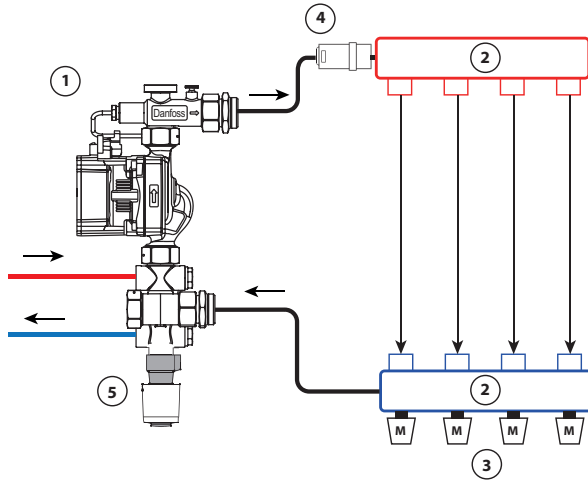


Application Guide

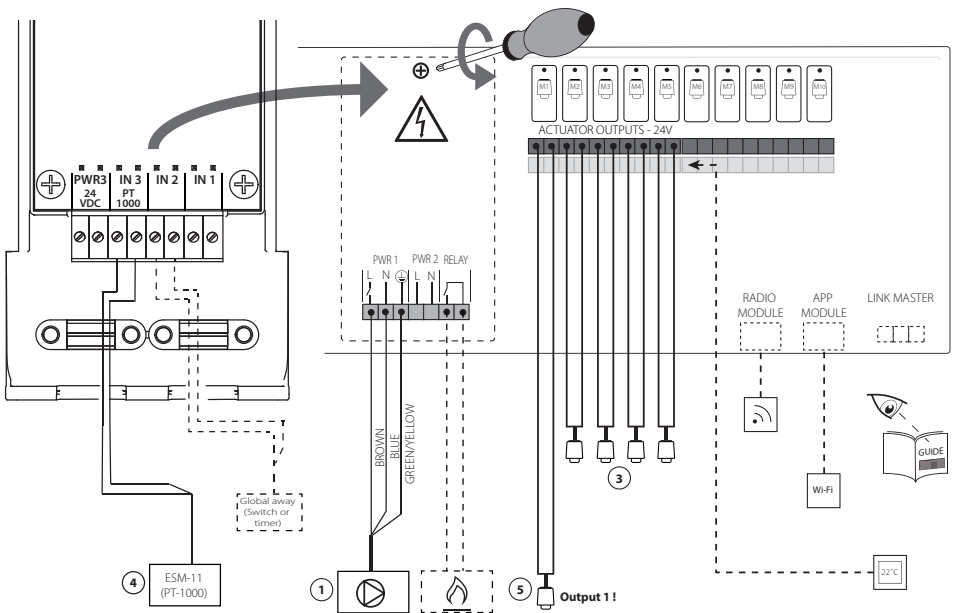
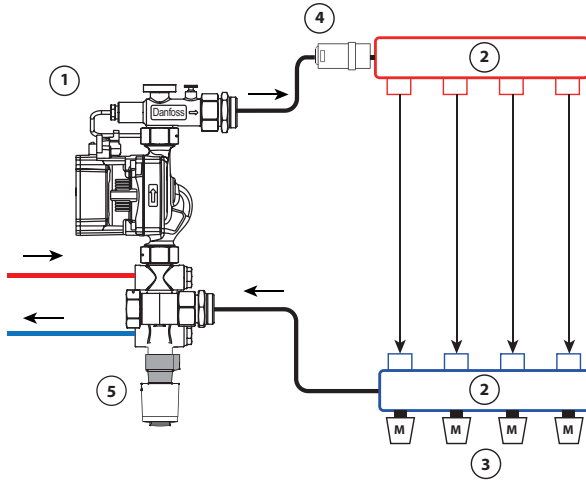
Expansion Module for Danfoss *Icon*™ Master



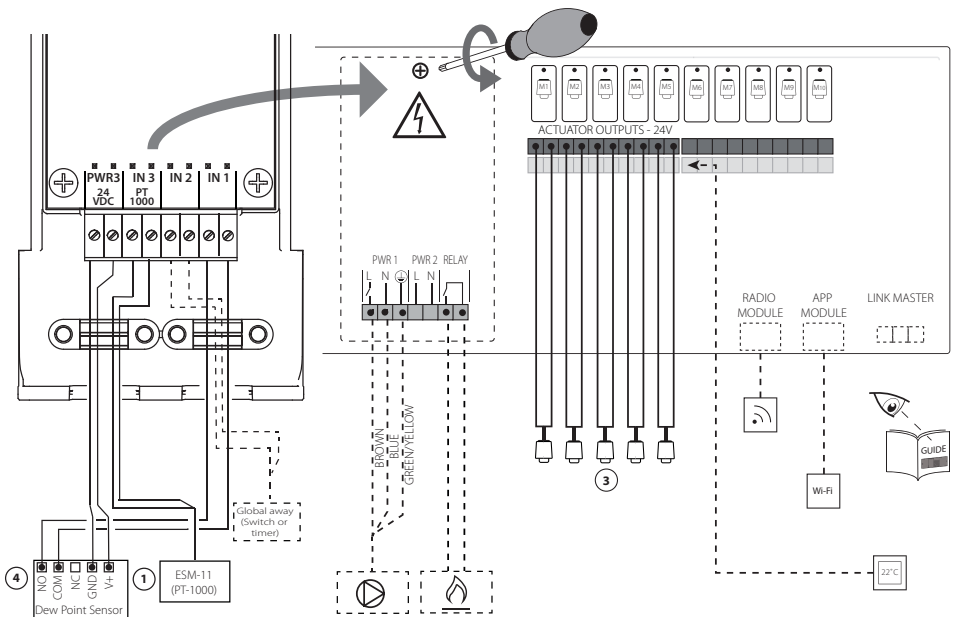
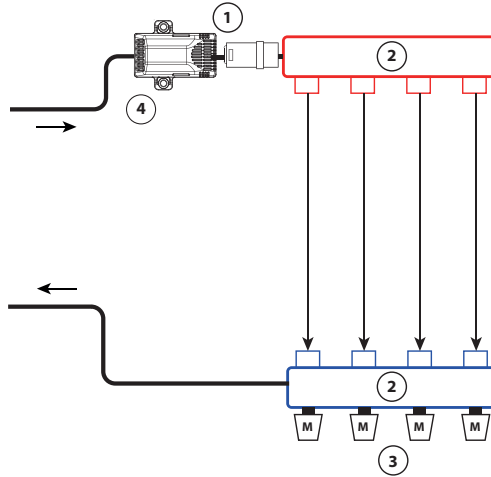
Application 0001



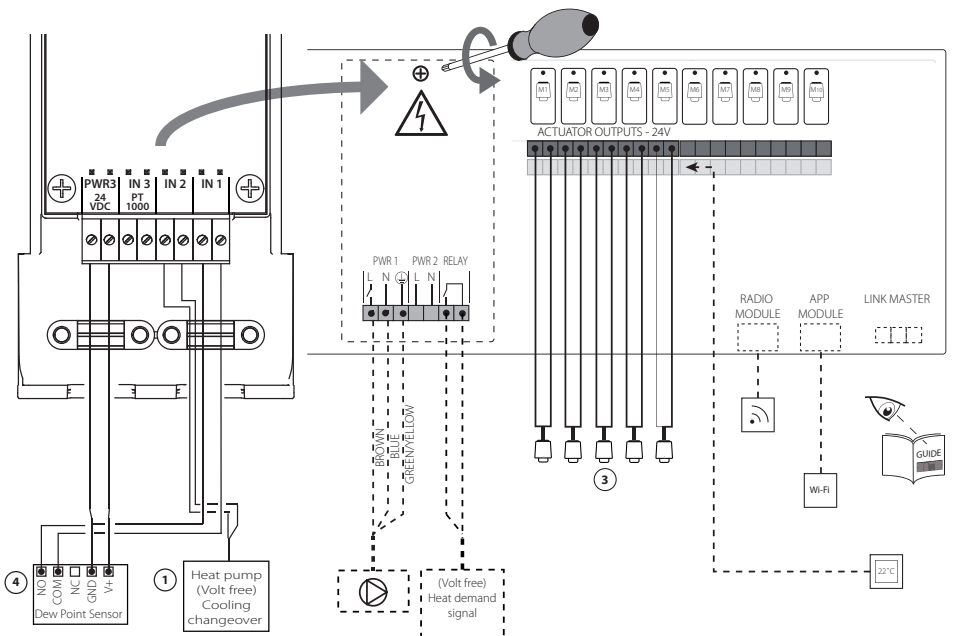
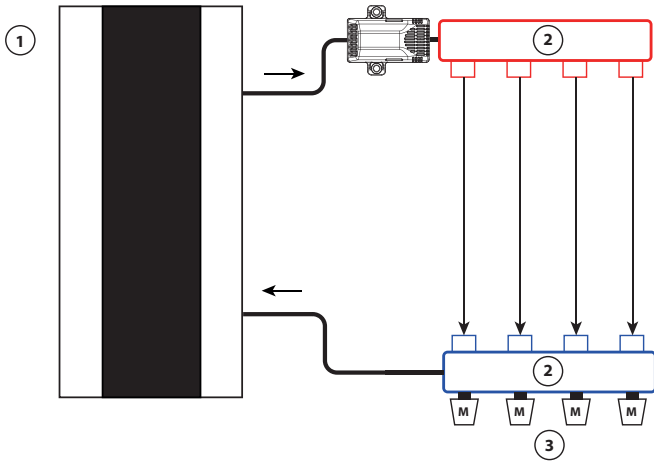
Application 0002



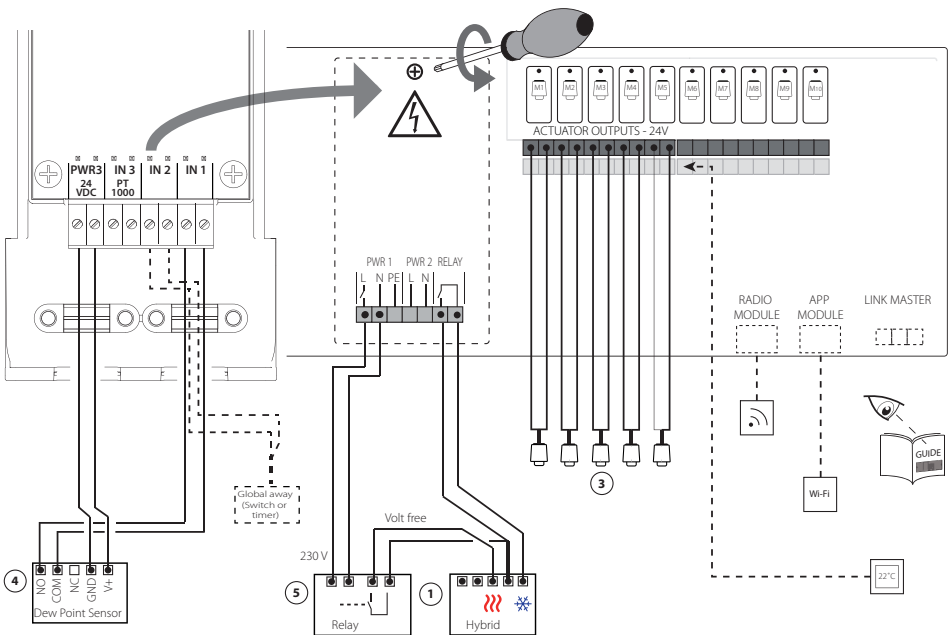
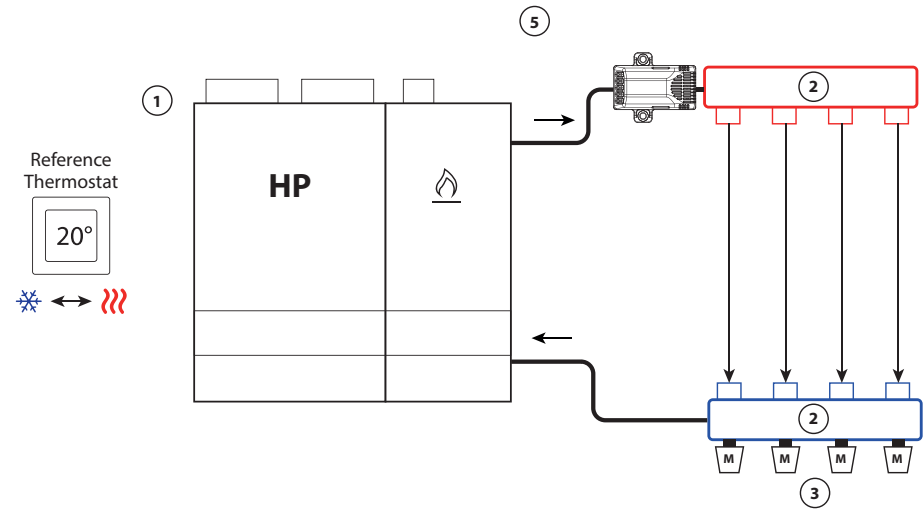
Application 003



Application 0004

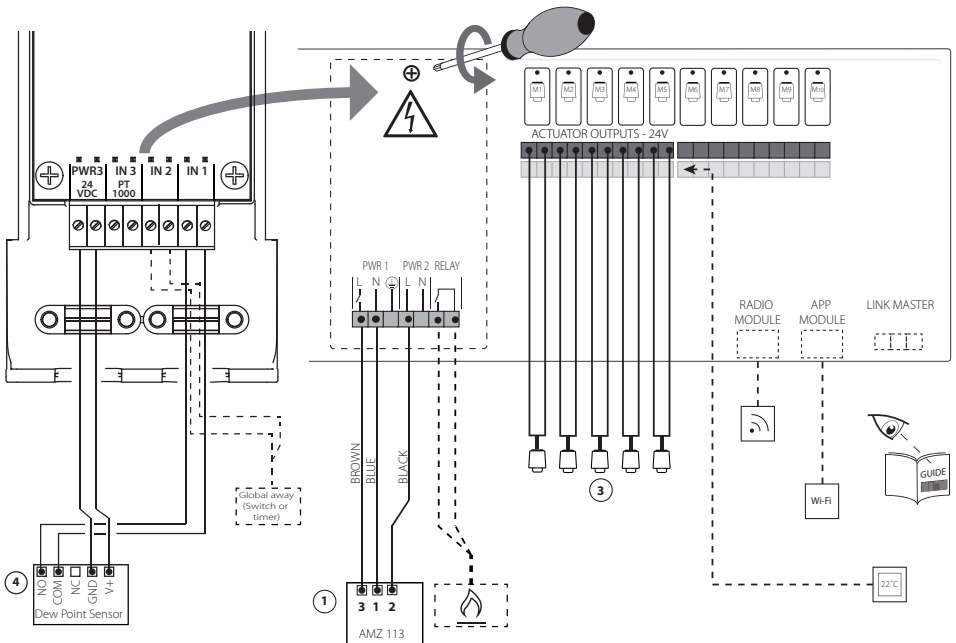
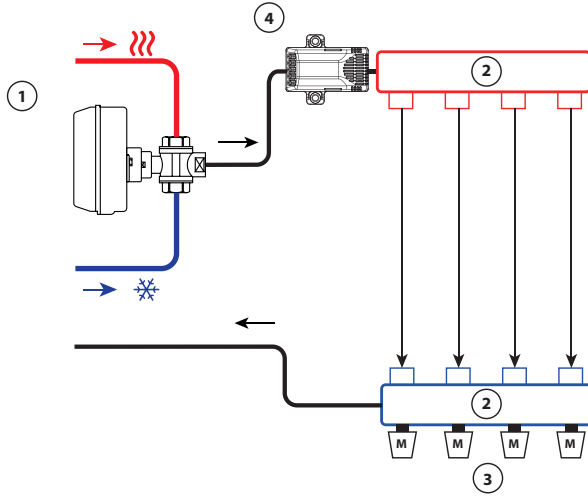


Application 0005

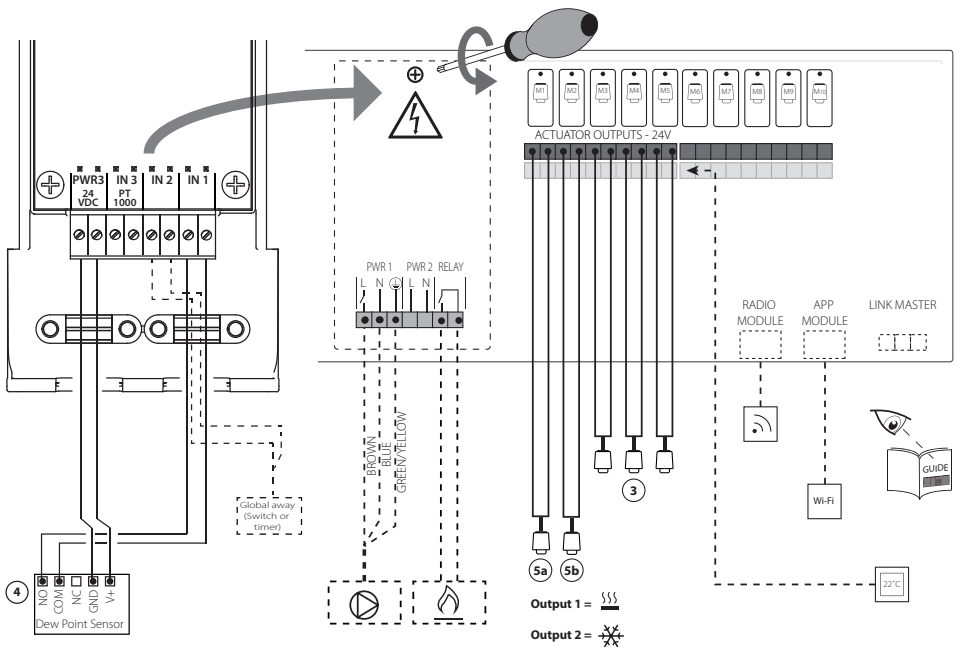
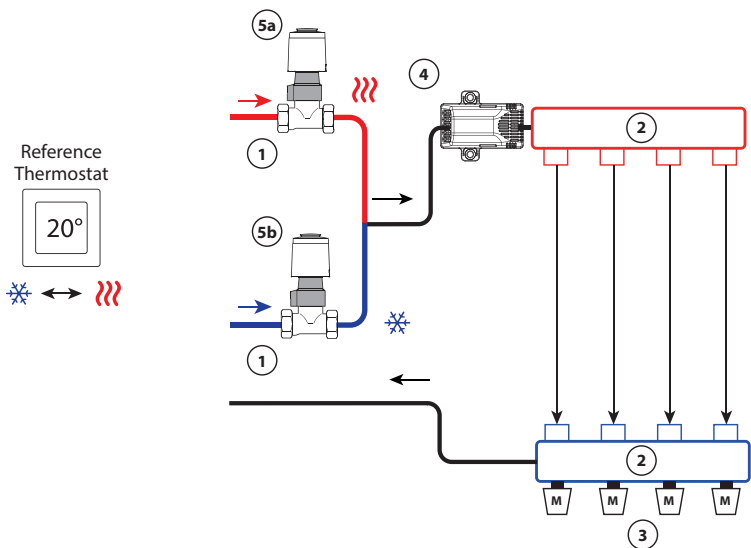


Application 0006

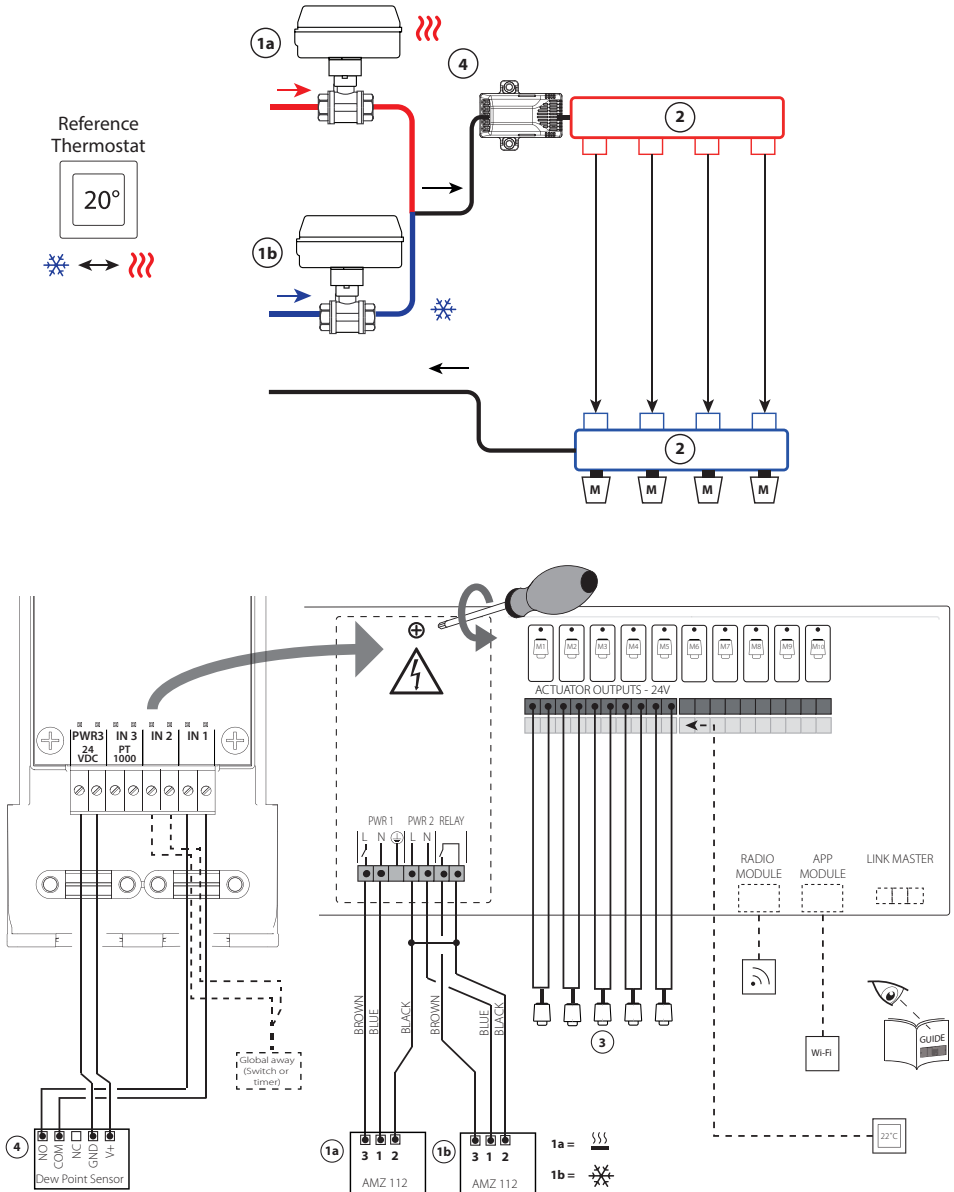
Reference
Thermostat



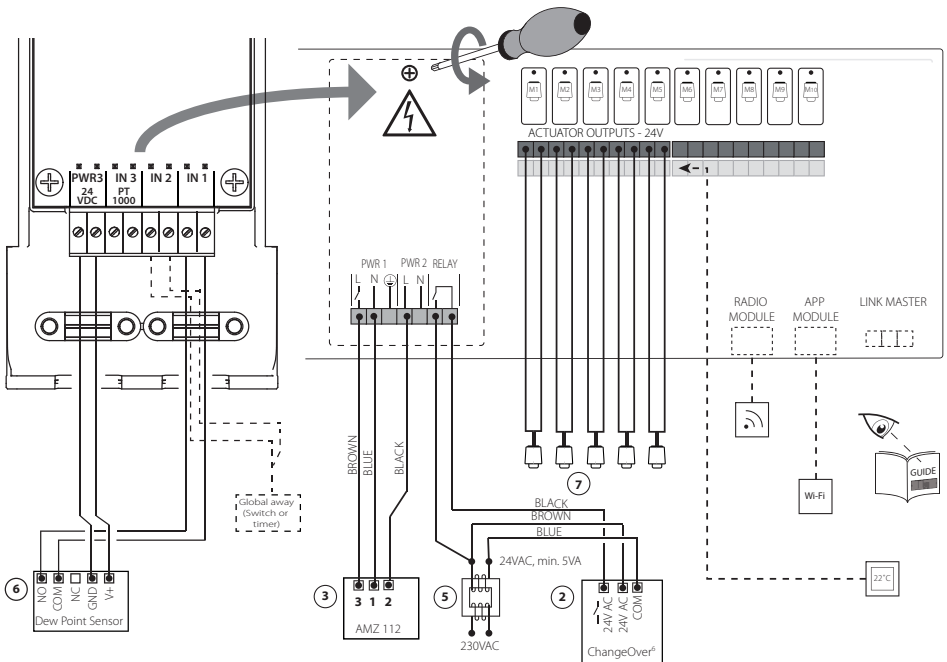
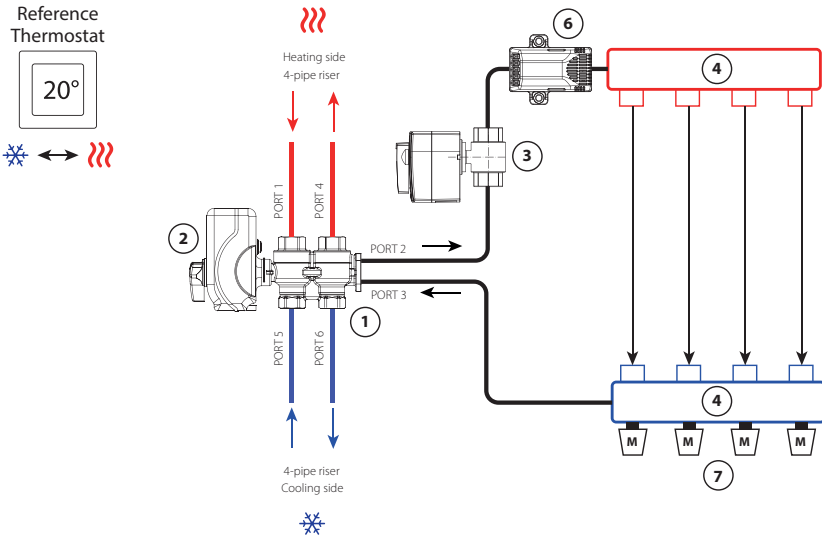
Application 0007



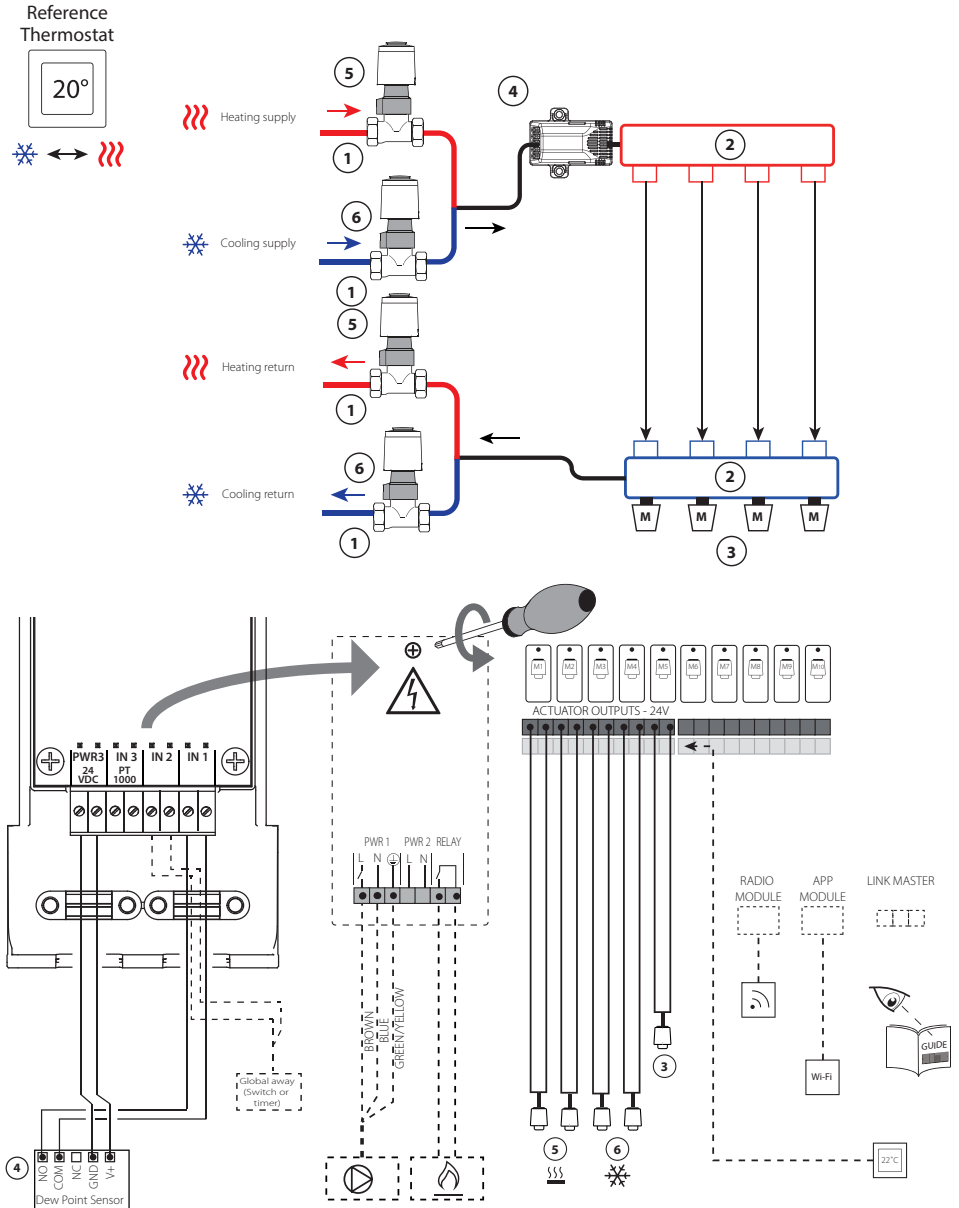
Application 0008



Application 0009



Application 0010



ENGINEERING
TOMORROW



Danfoss A/S
Heating Segment • heating.danfoss.com • +45 7488 2222 • E-Mail: heating@danfoss.com

Danfoss can accept no responsibility for possible errors in catalogues, brochures and other printed material. Danfoss reserves the right to alter its products without notice. This also applies to products already on order provided that such alterations can be made without subsequential changes being necessary in specifications already agreed.
All trademarks in this material are property of the respective companies. Danfoss and all Danfoss logotypes are trademarks of Danfoss A/S. All rights reserved.
